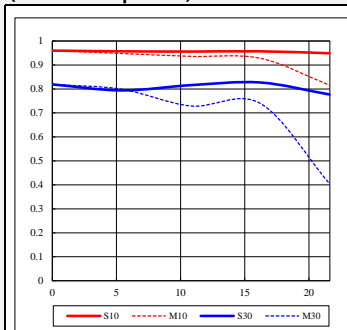


AF 14mm F2.8 F

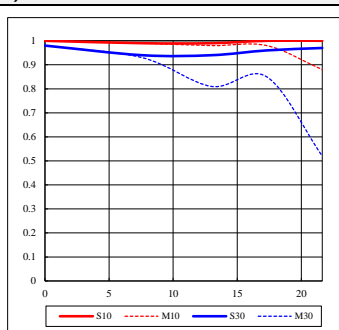
Model Name		AF 14mm F2.8 F
Aperture Range		F2.8 ~ 22
Lens Optical	Construction	15 Elements in 10 Groups
	Special Lens	ASP 2, ED 1, HR 4
Coating		UMC
Minimum Focusing Distance		0.20 m (0.66ft)
Magnification Ratio		x 0.15
Diaphragm Blades		7
Filter Size (mm)		N/A
Maximum Diameter(mm)		Φ 90.5
Mount		Nikon F
Angle of view	Full Frame	116.6 °
	APS-C	92.8 °
Length (mm)		93.1 mm
Weight (g)		474 g
- Without Lens Cap, Hood		
Weight (g)		523 g

Geometric MTF

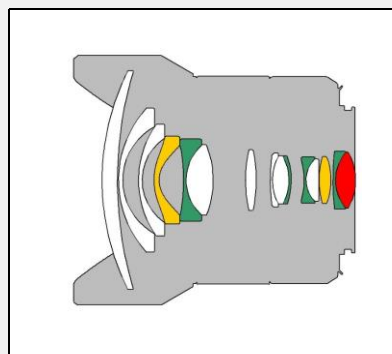
(Maximum Aperture)



(F8)



Lens Construction



■ ASP ■ ED ■ HR